



The danger of conflating level-specific effects of control variables when primary interest lies in level-2 effects

Jason D. Rights^{1*} , Kristopher J. Preacher² and David A. Cole²

¹University of British Columbia, Vancouver, British Columbia, Canada

²Vanderbilt University, Nashville, Tennessee, USA

In the multilevel modelling literature, methodologists widely acknowledge that a level-1 variable can have distinct within-cluster and between-cluster effects, and that failing to disaggregate these can yield a slope estimate that is an uninterpretable, conflated blend of the two. Methodologists have stated, however, that including conflated slopes of level-1 variables in a model is not problematic if substantive interest lies only in effects of level-2 predictors. Researchers commonly follow this advice and use methods that do not disaggregate effects of level-1 control variables (e.g., grand mean centering) when examining effects of level-2 predictors. The primary purpose of this paper is to show that this is a dangerous practice. When level-specific effects of level-1 variables differ, failing to disaggregate them can severely bias estimation of level-2 predictor slopes. We show mathematically why this is the case and highlight factors that can exacerbate such bias. We corroborate these findings with simulations and present an empirical example, showing how such distortions can severely alter substantive conclusions. We ultimately recommend that simply including the cluster mean of the level-1 variable as a control will alleviate the problem.

1. Introduction

Multilevel modelling (MLM) is a popular framework for analysing hierarchical data structures, such as students nested within schools, employees nested within companies, or repeated observations nested within persons. In such analyses, researchers are often interested in the potential effects of both level-1 (observation-level) as well as level-2 (cluster-level) variables.

In the MLM literature, methodologists have long recognized that a level-1 variable can have distinct *within-cluster* and *between-cluster* effects on an outcome of interest. Cronbach (1976) first highlighted this phenomenon in the social sciences, pointing out that the ‘overall’ relation between a level-1 variable and some outcome is, implicitly, an ‘uninterpretable blend’ of the within-cluster and between-cluster relations (Cronbach, 1976, p. 219). To ensure appropriate interpretation and inferences for slopes of level-1 predictors, methodologists widely recommend disaggregating these level-specific effects (Algina & Swaminathan, 2011; Bell, Jones, & Fairbrother, 2018; Cronbach, 1976; Curran &

*Correspondence should be addressed to Jason Rights, Department of Psychology, University of British Columbia, 2136 West Mall, Vancouver, BC, Canada V6T 1Z4 (email: jrighs@psych.ubc.ca).

Bauer, 2011; Curran, Lee, Howard, Lane, & MacCallum, 2012; Enders & Tofighi, 2007; Hoffman & Stawski, 2009; Hofmann & Gavin, 1998; Raudenbush & Bryk, 2002; Snijders & Bosker, 2012; Wang & Maxwell, 2015).

As an illustration of disparate level-specific effects, Enders and Tofighi (2007) analysed data consisting of employees nested within organizations and examined the influence of workload (the number of hours worked per week) on psychological well-being. Of note is that, implicit in the level-1 variable of workload, there is a *between-cluster* component (the aggregate level of working hours for each organization) as well as a *within-cluster* component (an individual employee's workload relative to their organization's aggregate level). Enders and Tofighi (2007) showed that models that disaggregate these two level-specific components (e.g., by including both cluster-mean-centered workload and cluster-mean workload as separate predictors) yielded significant and negative slopes associated with both, suggesting that employees who work more relative to their organization's aggregate level have worse well-being, and that companies with higher overall levels of working hours have employees with worse well-being. Importantly, the slope associated with the latter was larger than that associated with the former. Models that failed to disaggregate these two level-specific effects (e.g., those in which workload was grand-mean-centered) yielded a slope estimate that was somewhere in between the two; such a slope is said to be *conflated* (Preacher, Zyphur, & Zhang, 2010). Enders and Tofighi (2007) recommended that, for researchers interested in the influence of workload, both level-specific effects should be included in the model.

Conversely, methodologists have also stated that including conflated slopes of level-1 variables in a model is not problematic if substantive interest lies in effects of only *level-2* predictors. For instance, Enders and Tofighi (2007) recommended that level-1 predictors be grand-mean-centered (a method that, by itself, does not disaggregate level-specific effects) when they are used merely as control variables for level-2 predictors; other methodologists echo these recommendations (e.g., Dalal & Zickar, 2012; Enders, 2013; Hofmann & Gavin, 1998; McCoach, 2010; Peugh, 2010; Raudenbush & Bryk, 2002). They further stated that this practice is appropriate even when the slope of the level-1 predictor is known to be an uninterpretable blend of disparate level-specific effects. With the workload/well-being example, they added a level-2 predictor (organization size or *SIZE*) to the model with a conflated slope of workload and stated that:

In this situation, the γ_{01} regression coefficient quantifies the influence of *SIZE*, controlling for individual workload. The γ_{10} regression still gives a distorted view of the level-1 regression of well-being on workload, but this is not a concern if the substantive focus is on the level-2 covariate and the γ_{01} coefficient. (Enders & Tofighi, 2007, p. 130)

The implicit rationale is that, even when the slope is conflated, the level-1 variable can still serve as an appropriate control variable for a level-2 predictor. Researchers commonly follow this advice and elect not to disaggregate the effects of level-1 control variables when examining effects of level-2 predictors (e.g., Dettmers, Trautwein, Lüdtke, Kunter, & Baumert, 2010; Diefendorff, Erickson, Grandey, & Dahling, 2011; Lenkeit, 2013; Lüdtke, Robitzsch, Trautwein, & Kunter, 2009; Merritt, Wanless, Rimm-Kaufman, Cameron, & Peugh, 2012; Salmivalli, Voeten, & Poskiparta, 2011; Trautwein, & Lüdtke, 2009; Wilkowski, Robinson, & Troop-Gordon, 2010).

The purpose of the current paper is to newly demonstrate that, when level-specific effects of level-1 variables differ, failing to disaggregate them can severely bias estimation of level-2 predictor slopes. This contrasts with previous studies on conflation that have

almost exclusively focused on issues in interpreting and making inferences about, specifically, a conflated slope of a level-1 predictor. For instance, methodologists have often discussed how such a slope is uninterpretable, or how such a slope might lead researchers erroneously to infer that there is an effect of the level-1 variable across individuals (when the apparent effect is actually driven by differences across groups), or, conversely, how such a slope might lead researchers erroneously to infer that there is an effect of the level-1 variable across groups (when the apparent effect is actually driven by differences across persons). However, the distortion inherent in specifying such a slope is not isolated to the level-1 variable itself. This distortion can, in turn, perturb the rest of the model as well. In using level-1 variables with conflated slopes as control variables for level-2 predictors, the level-2 predictor slopes are conditioned on the level-1 variables *whose effects are misspecified* and thus not controlled for *correctly*. Although methodologists have previously provided otherwise excellent guidance related to disaggregating level-specific effects in MLM (e.g., Enders & Tofghi, 2007), this particular point needs to be clarified.

The remainder of this paper proceeds as follows. We first consider different methods for assessing a level-2 predictor slope while conditioning on a level-1 variable. In particular, we show mathematically why using conflated level-1 variables as controls for level-2 predictors is inappropriate. We focus on the extent to which this practice yields biased estimation of level-2 predictor slopes. We highlight factors that could exacerbate such bias, and we show that this bias can be avoided altogether by fitting models that disaggregate level-specific effects. We then demonstrate these analytics with a simulation. Ultimately, we recommend that, to control for a level-1 variable when assessing the effects of level-2 predictors, one should include only the cluster mean of the level-1 variable as a control. We conclude with an empirical example wherein we assess the influence of a level-2 predictor while controlling for a level-1 variable, showing that the results differ markedly when the model is fit with a conflated level-1 predictor slope, as opposed to a model that appropriately disaggregates level-specific effects.

Before continuing, we note several caveats. First, to maintain a manageable scope, we restrict our focus to fairly simple models. In particular, we discuss models with only a single level-1 variable, we assume perfectly reliable predictors (consistent with standard MLM assumptions; Raudenbush & Bryk, 2002; Snijders & Bosker, 2012), and we present random intercept models as opposed to random slope models (because researchers typically model control variables with fixed slopes). We nonetheless discuss the generalizability of our results to more complex models in Section 5 (showing, for instance, that our recommendations hold for random slope models). Finally, we restrict our focus to the impact of conflated level-1 predictor slopes on the estimation of level-2 predictor slopes, although we stress that having conflated level-1 predictor slopes can similarly distort other portions of the model. For instance, recent work has shown the adverse effects of conflation on estimating interactions involving level-1 predictors (Loeys, Josephy, & Dewitte, 2018).

2. Methods to assess the effect of a level-2 variable while controlling for a level-1 variable

First consider the scenario in which a level-2 predictor is of primary substantive interest, but the researcher wishes to condition on a level-1 covariate. We compare four different

modelling options in terms of their abilities to assess appropriately the slope of the level-2 variable of interest.

2.1. Fully-disaggregated-x model

A level-1 predictor x_{ij} , with observation i nested within cluster j , equals the sum of the mean of cluster j , denoted $x_{\bullet j}$, and observation i 's deviation from $x_{\bullet j}$, denoted $x_{ij} - x_{\bullet j}$ (i.e., $x_{ij} = (x_{ij} - x_{\bullet j}) + x_{\bullet j}$). The latter is commonly called a cluster-mean-centered, or group-mean-centered, level-1 variable (Enders & Tofghi, 2007; Snijders & Bosker, 2012). Assuming there is variability in both of these components, the level-1 variable can exert both within- and between-cluster effects on the outcome. Therefore, we can include all three of these slopes (that of the level-2 predictor of interest, z_j , and those of the two level-specific components of x_{ij}) in a random-intercept model as

$$y_{ij} = \gamma_{00} + \gamma_{x_w}(x_{ij} - x_{\bullet j}) + \gamma_{x_b}x_{\bullet j} + \gamma_z z_j + u_{0j} + u_{1j}(x_{ij} - x_{\bullet j}) + e_{ij},$$

$$e_{ij} \sim N(0, \sigma^2), \tag{1}$$

$$\begin{bmatrix} u_{0j} \\ u_{1j} \end{bmatrix} \sim MVN \left(\begin{bmatrix} 0 \\ 0 \end{bmatrix}, \begin{bmatrix} \tau_{00} & \\ & \tau_{11} \end{bmatrix} \right).$$

Here the continuous outcome y_{ij} is modelled as a function of the level-2 predictor of interest, z_j , as well as the two components of x_{ij} . The slope of interest is γ_z , the within effect of x_{ij} is γ_{x_w} , and the between effect of x_{ij} is γ_{x_b} . The fixed portion of the intercept is given as γ_{00} , with the random portion (residual) given as u_{0j} , which is normally distributed with across-cluster variance τ_{00} . The level-1 residual, e_{ij} , is normally distributed with variance σ^2 .¹

Because this model contains separate parameters for the two level-specific effects of x_{ij} , as a shorthand, we will call this the *fully-disaggregated-x* model. Of the four models we discuss, this is the most general specification. The remaining models place simple constraints on the parameters of this model. For illustrative purposes, borrowing from the structural equation modelling framework, this model is presented as a path diagram in Figure 1a. Note that the three single-headed arrows going from left to right denote the slopes of the three predictors. The double-headed arrow indicates that the two predictors $x_{\bullet j}$ and z_j can be correlated (although this is not an estimated MLM parameter and is thus not labelled). The lack of any double-headed arrow connecting $x_{ij} - x_{\bullet j}$ highlights the fact that $x_{ij} - x_{\bullet j}$ is a purely level-1 predictor with no across-cluster variance and therefore zero correlation with any level-2 predictor (Raudenbush & Bryk, 2002; Snijders & Bosker, 2012). With this in mind, we can make use of covariance algebra to express the slope of interest, γ_z , in the population as a function of other model components. First consider the model-implied covariance of y_{ij} and z_j :

¹ Note that this model is equivalent to (albeit a slight reparameterization of) a *contextual effect model* (Enders & Tofghi, 2007; Kreft, de Leeuw, & Aiken, 1995; Snijders & Bosker, 2012) that includes as predictors x_{ij} (or grand-mean-centered x_{ij}), x_j , and z_j . Without loss of generality, we focus on the widely recommend cluster-mean-centered approach to disaggregation (Algina & Swaminathan, 2011; Enders & Tofghi, 2007; Hofmann & Gavin, 1998; Raudenbush & Bryk, 2002).

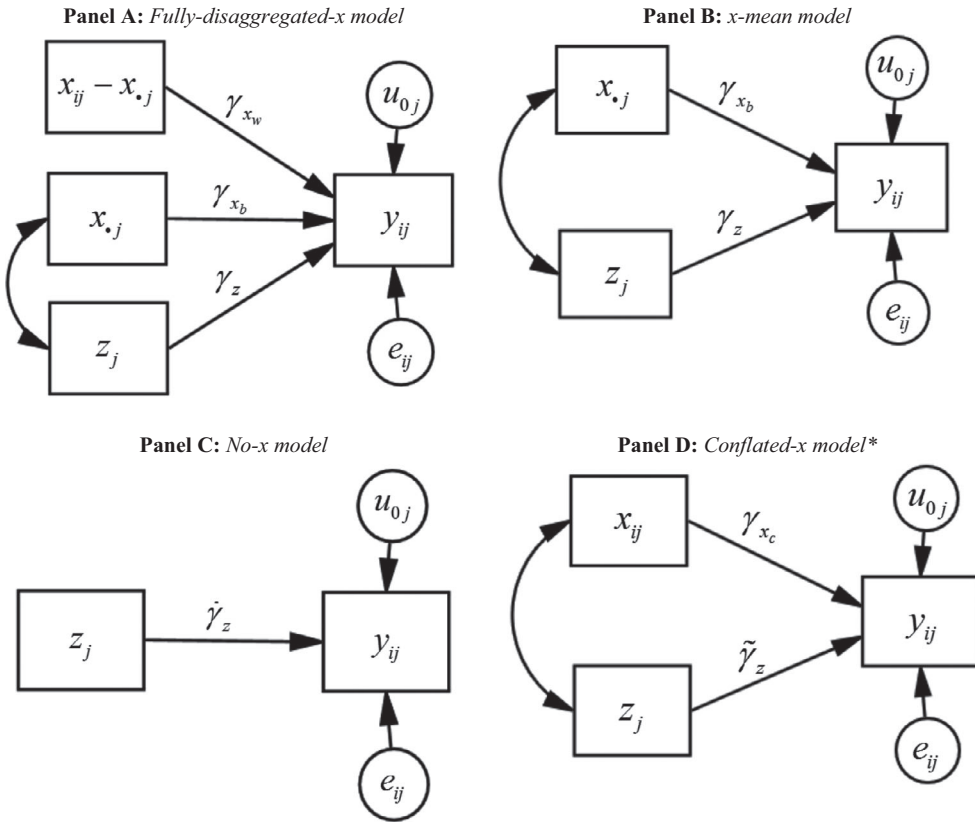


Figure 1. Methods of assessing the slope of a level-2 variable with a potential level-1 control variable. *Notes.* The fully-disaggregated- x model and the no- x model appropriately condition the effect of the level-2 variable, z_j , on the level-1 variable, x_{ij} , via its cluster mean, $x_{\bullet j}$. The no- x model and the conflated- x model distort the effect of z_j . For each diagram the fixed portion of the intercept, γ_{00} , and the variances of residuals, σ^2 and τ_{00} , are excluded for parsimony. x_{ij} is commonly grand-mean-centered, yielding an equivalent model with the same slopes.

$$\begin{aligned}
 \text{cov}(y_{ij}, z_j) &= \text{cov}(\gamma_{00} + \gamma_{x_w}(x_{ij} - x_{\bullet j}) + \gamma_{x_b}x_{\bullet j} + \gamma_z z_j + u_{0j} + u_{1j}(x_{ij} - x_{\bullet j}) + e_{ij}, z_j) \\
 &= \text{cov}(\gamma_{x_b}x_{\bullet j} + \gamma_z z_j, z_j) \\
 &= \text{cov}(\gamma_{x_b}x_{\bullet j}, z_j) + \text{cov}(\gamma_z z_j, z_j) \\
 &= \gamma_{x_b} \text{cov}(x_{\bullet j}, z_j) + \gamma_z \text{var}(z_j).
 \end{aligned}
 \tag{2}$$

We can thus express γ_z in the population as

$$\gamma_z = \frac{\text{cov}(y_{ij}, z_j) - \gamma_{x_b} \text{cov}(x_{\bullet j}, z_j)}{\text{var}(z_j)}.
 \tag{3}$$

Importantly, because we have included both level-specific effects for x_{ij} , when fitting this model we need not worry that estimation of γ_z is adversely affected by either failing to

control for the level-1 variable or controlling for it inappropriately by conflating level-specific effects. However, because $x_{ij} - x_{\bullet j}$ is entirely uncorrelated with z_j , its inclusion does not affect the slope of z_j , as we show formally in the next section.²

2.2. x-mean model

Another way to control for the level-1 variable is simply to include $x_{\bullet j}$ as a predictor without worrying about the within-cluster effect. We call this the *x-mean model*, and it is given by

$$\begin{aligned}
 y_{ij} &= \gamma_{00} + \gamma_{x_b} x_{\bullet j} + \gamma_z z_j + u_{0j} + e_{ij}, \\
 e_{ij} &\sim N(0, \sigma^2), \\
 u_{0j} &\sim N(0, \tau_{00}).
 \end{aligned}
 \tag{4}$$

This model is also shown in Figure 1b. Note that the slope of z_j is the same as that in the fully-disaggregated- x model. To prove this using covariance algebra, we show that the covariance between y_{ij} and z_j is the same for both of these models. For the *x-mean model*,

$$\begin{aligned}
 \text{COV}(y_{ij}, z_j) &= \text{COV}(\gamma_{00} + \gamma_{x_b} x_{\bullet j} + \gamma_z z_j + u_{0j} + e_{ij}, z_j) \\
 &= \text{COV}(\gamma_{x_b} x_{\bullet j} + \gamma_z z_j, z_j) \\
 &= \text{COV}(\gamma_{x_b} x_{\bullet j}, z_j) + \text{COV}(\gamma_z z_j, z_j) \\
 &= \gamma_{x_b} \text{COV}(x_{\bullet j}, z_j) + \gamma_z \text{VAR}(z_j).
 \end{aligned}
 \tag{5}$$

Hence,

$$\gamma_z = \frac{\text{COV}(y_{ij}, z_j) - \gamma_{x_b} \text{COV}(x_{\bullet j}, z_j)}{\text{VAR}(z_j)},
 \tag{6}$$

which is the same expression as shown in equation (3). Thus, researchers exclusively interested in the slope of z_j need only include $x_{\bullet j}$ as a predictor.

2.3. No-x model

We next consider the bias that results from failing to include $x_{\bullet j}$ in the model, which we term the *no-x model*. Bias resulting from omitted variables is, of course, a well-established and recognized phenomenon, not only in MLM but also in single-level regression and other modelling frameworks (Rencher, 2000). We present this here as a basis of comparison for the subsequent conflated model. The *no-x model* is shown in Figure 1c and is given by

² Some methodologists have correctly noted that including *only* a cluster-mean-centered/group-mean-centered level-1 variable does not appropriately condition the effects of level-2 variables on the level-1 variable, and, because of this, recommended instead that researchers grand-mean-center level-1 control variables (e.g., Enders & Tofghi, 2007; Hofmann & Gavin, 1998). However, the option of just group- versus grand-mean-centering the level-1 variable is not exhaustive, and we show here that *neither* of these is appropriate (and researchers should instead include the cluster mean of the level-1 variable as a control).

$$\begin{aligned}
y_{ij} &= \gamma_{00} + \dot{\gamma}_z z_j + \mathbf{u}_{0j} + \mathbf{e}_{ij}, \\
\mathbf{e}_{ij} &\sim N(0, \sigma^2), \\
\mathbf{u}_{0j} &\sim N(0, \tau_{00}).
\end{aligned} \tag{7}$$

We denote the effect of z_j as $\dot{\gamma}_z$ to distinguish it from the true population effect, γ_z . As before, we can express this slope as a function of other model parameters. In this no- x model, the model-implied covariance between y_{ij} and z_j is

$$\begin{aligned}
\text{cov}(y_{ij}, z_j) &= \text{cov}(\gamma_{00} + \dot{\gamma}_z z_j + \mathbf{u}_{0j} + \mathbf{e}_{ij}, z_j) \\
&= \text{cov}(\dot{\gamma}_z z_j, z_j) \\
&= \dot{\gamma}_z \text{var}(z_j).
\end{aligned} \tag{8}$$

Hence, the slope of interest is

$$\dot{\gamma}_z = \frac{\text{cov}(y_{ij}, z_j)}{\text{var}(z_j)}. \tag{9}$$

The bias that results from failing to include $x_{\bullet j}$ can be computed by subtracting equation (9) from equation (3):

$$\begin{aligned}
\dot{\gamma}_z - \gamma_z &= \frac{\text{cov}(y_{ij}, z_j)}{\text{var}(z_j)} - \frac{\text{cov}(y_{ij}, z_j) - \gamma_{x_b} \text{cov}(x_{\bullet j}, z_j)}{\text{var}(z_j)} \\
&= \gamma_{x_b} \frac{\text{cov}(x_{\bullet j}, z_j)}{\text{var}(z_j)}.
\end{aligned} \tag{10}$$

Thus, assuming there is a non-zero effect of $x_{\bullet j}$ and a non-zero covariance between $x_{\bullet j}$ and z_j , there will be bias in the estimation of the slope of z_j when failing to include $x_{\bullet j}$ in the model. (Note also that this same bias would result had we included only $x_{ij} - x_{\bullet j}$ as a control and not $x_{\bullet j}$). We next consider how this degree of bias compares to the bias that results from including x_{ij} as control but failing to disaggregate level-specific effects.

2.4. Conflated- x model

Now suppose that a researcher, wishing to estimate a level-2 variable's slope while controlling for a level-1 variable, followed current recommendations and simply grand-mean-centered x_{ij} or left x_{ij} in its raw form (these are equivalent models differing only in intercept interpretation; Kreft *et al.*, 1995). We call this the *conflated- x model*. This model is shown in Figure 1d and can be expressed in grand-mean-centered form as

$$\begin{aligned}
y_{ij} &= \gamma_{00} + \gamma_{x_c} (x_{ij} - x_{\bullet\bullet}) + \tilde{\gamma}_z z_j + \mathbf{u}_{0j} + \mathbf{e}_{ij}, \\
\mathbf{e}_{ij} &\sim N(0, \sigma^2), \\
\mathbf{u}_{0j} &\sim N(0, \tau_{00}).
\end{aligned} \tag{11}$$

Here $x_{\bullet\bullet}$ denotes the mean of x_{ij} across all observations, with γ_{x_c} denoting the *conflated slope* of x_{ij} , and $\tilde{\gamma}_z$ (distinct from the true γ_z) denotes the slope of the predictor

of substantive interest. This model is more restrictive than the fully-disaggregated- x model as it (implicitly) constrains the within-cluster slope equal to the between-cluster slope.³

Methodologists have long recognized that the conflated slope γ_{x_c} is implicitly a weighted average of the level-specific effects γ_{x_b} and γ_{x_w} (Burstein, 1980; Raudenbush & Bryk, 2002; Scott & Holt, 1982; Snijders & Bosker, 2012). The conflated slope can thus be expressed as

$$\gamma_{x_c} = \lambda\gamma_{x_b} + (1 - \lambda)\gamma_{x_w}, \tag{12}$$

with λ , ranging from 0 to 1, denoting the weight given to the between-effect. For single-level regression via ordinary least squares (OLS), λ in equation (12) is simply the intraclass correlation coefficient of x_{ij} (i.e., the proportion of total variance in x_{ij} that is between clusters; Duncan, Cuzzort, & Duncan, 1961; Raudenbush & Bryk, 2002; Scott & Holt, 1982). Thus the OLS estimator for the conflated slope is equal to

$$\hat{\gamma}_{x_c} = ICC_x \hat{\gamma}_{x_b} + (1 - ICC_x) \hat{\gamma}_{x_w}. \tag{13}$$

This implies that when a great deal of across-cluster outcome variance (or a large ICC) exists, the conflated estimate will be similar to the between-cluster estimate, whereas when little across-cluster outcome variance (or a small ICC) is present, the conflated estimate will be similar to the within-cluster estimate.

For multilevel contexts, the formula for λ is a bit more complex. Raudenbush and Bryk (2002) showed that, for a simple random-intercept model with a single level-1 variable and non-varying cluster sizes (fit with maximum likelihood estimation), λ is the precision of the between-cluster slope over the sum of the precisions of the between-cluster and within-cluster slopes, thus making the conflated slope a precision-weighted average of the two. More formally,

$$\begin{aligned} \hat{\gamma}_{x_c} &= \left(\frac{\text{var}(\hat{\gamma}_{x_b})^{-1}}{\text{var}(\hat{\gamma}_{x_b})^{-1} + \text{var}(\hat{\gamma}_{x_w})^{-1}} \right) \hat{\gamma}_{x_b} + \left(1 - \frac{\text{var}(\hat{\gamma}_{x_b})^{-1}}{\text{var}(\hat{\gamma}_{x_b})^{-1} + \text{var}(\hat{\gamma}_{x_w})^{-1}} \right) \hat{\gamma}_{x_w} \\ &= \left(\frac{\left(\sum_{j=1}^J (\mathbf{x}_{\bullet j} - \mathbf{x}_{\bullet\bullet})^2 / (\hat{\tau}_{00} + \hat{\sigma}^2 / N_j) \right)}{\sum_{j=1}^J (\mathbf{x}_{\bullet j} - \mathbf{x}_{\bullet\bullet})^2 / (\hat{\tau}_{00} + \hat{\sigma}^2 / N_j) + \sum_{j=1}^J \sum_{i=1}^{N_j} (x_{ij} - x_{\bullet j})^2 / \hat{\sigma}^2} \right) \hat{\gamma}_{x_b} \\ &\quad + \left(1 - \frac{\left(\sum_{j=1}^J (\mathbf{x}_{\bullet j} - \mathbf{x}_{\bullet\bullet})^2 / (\hat{\tau}_{00} + \hat{\sigma}^2 / N_j) \right)}{\sum_{j=1}^J (\mathbf{x}_{\bullet j} - \mathbf{x}_{\bullet\bullet})^2 / (\hat{\tau}_{00} + \hat{\sigma}^2 / N_j) + \sum_{j=1}^J \sum_{i=1}^{N_j} (x_{ij} - x_{\bullet j})^2 / \hat{\sigma}^2} \right) \hat{\gamma}_{x_w}, \tag{14} \end{aligned}$$

with J denoting the total number of clusters and N_j denoting the cluster size (assumed equal across clusters).

Here, our primary focus is not specifically on the degree to which the two effects are weighted via λ in estimating the conflated slope. The overarching point of equations (12–14) is to highlight that, when γ_{x_b} and γ_{x_w} are different, γ_{x_c} is a weighted average of the two and will be somewhere in between. Although other methodologists have noted this

³ Constraining the level-specific slopes equal in the fully-disaggregated- x model yields a single slope for x_{ij} , noting that $\gamma_{x_c}(x_{ij} - x_{\bullet j}) + \gamma_{x_c}x_{\bullet j} = \gamma_{x_c}x_{ij}$. Also, grand-mean-centering this x_{ij} as in the *conflated- x model* changes only the intercept and does not change the slope (Raudenbush & Bryk, 2002; Snijders & Bosker, 2012).

(Algina & Swaminathan, 2011; Curran & Bauer, 2011; Curran *et al.*, 2012; Enders & Tofghi, 2007; Hofmann & Gavin, 1998; Raudenbush & Bryk, 2002; Snijders & Bosker, 2012), none have specifically noted how this conflation impacts estimation of slopes of level-2 predictors.

We can solve for the population $\tilde{\gamma}_z$ in the conflated- x model similarly to how we solved for γ_z and $\dot{\gamma}_z$ above by first considering the model-implied covariance between y_{ij} and z_j :

$$\begin{aligned} \text{cov}(y_{ij}, z_j) &= \text{cov}(\gamma_{00} + \gamma_{x_c}(x_{ij} - x_{\bullet\bullet}) + \tilde{\gamma}_z z_j + u_{0j} + e_{ij}, z_j) \\ &= \text{cov}(\gamma_{x_c} x_{ij} + \tilde{\gamma}_z z_j, z_j) \\ &= \text{cov}(\gamma_{x_c} x_{ij}, z_j) + \text{cov}(\tilde{\gamma}_z z_j, z_j) \\ &= \gamma_{x_c} \text{cov}(x_{ij}, z_j) + \tilde{\gamma}_z \text{var}(z_j) \\ &= \gamma_{x_c} \text{cov}(x_{ij} - x_{\bullet j} + x_{\bullet j}, z_j) + \tilde{\gamma}_z \text{var}(z_j) \\ &= \gamma_{x_c} (\text{cov}(x_{ij} - x_{\bullet j}, z_j) + \text{cov}(x_{\bullet j}, z_j)) + \tilde{\gamma}_z \text{var}(z_j) \\ &= \gamma_{x_c} \text{cov}(x_{\bullet j}, z_j) + \tilde{\gamma}_z \text{var}(z_j). \end{aligned} \tag{15}$$

Hence,

$$\tilde{\gamma}_z = \frac{\text{cov}(y_{ij}, z_j) - \gamma_{x_c} \text{cov}(x_{\bullet j}, z_j)}{\text{var}(z_j)}, \tag{16}$$

Comparing this quantity to the true slope, γ_z , yields the bias induced by the conflation in the slope of x_{ij} :

$$\begin{aligned} \tilde{\gamma}_z - \gamma_z &= \frac{\text{cov}(y_{ij}, z_j) - \gamma_{x_c} \text{cov}(x_{\bullet j}, z_j)}{\text{var}(z_j)} - \frac{\text{cov}(y_{ij}, z_j) - \gamma_{x_b} \text{cov}(x_{\bullet j}, z_j)}{\text{var}(z_j)} \\ &= \frac{\gamma_{x_b} \text{cov}(x_{\bullet j}, z_j) - \gamma_{x_c} \text{cov}(x_{\bullet j}, z_j)}{\text{var}(z_j)} \\ &= (\gamma_{x_b} - \gamma_{x_c}) \frac{\text{cov}(x_{\bullet j}, z_j)}{\text{var}(z_j)}. \end{aligned} \tag{17}$$

This expression in equation (17) makes clear the primary point of this paper: *when the conflated slope of the level-1 variable is different than the between-cluster slope of the level-1 variable* (i.e., when level-specific effects of x_{ij} are different), *the estimation of the slope of a level-2 variable will be biased*, assuming there is a non-zero correlation between the level-1 and level-2 variables. As we will show, this bias can be substantial.

To emphasize further the adverse impact of using a conflated level-1 variable as a control, we compare the bias in estimation of the level-2 predictor slope in the conflated- x model given in equation (17) to the bias from the no- x model given in equation (10). The difference in the absolute values of these expressions is

$$\begin{aligned} |\tilde{\gamma}_z - \gamma_z| - |\dot{\gamma}_z - \gamma_z| &= \left| (\gamma_{x_b} - \gamma_{x_c}) \frac{\text{cov}(x_{\bullet j}, z_j)}{\text{var}(z_j)} \right| - \left| \gamma_{x_b} \frac{\text{cov}(x_{\bullet j}, z_j)}{\text{var}(z_j)} \right| \\ &= \left| \frac{\text{cov}(x_{\bullet j}, z_j)}{\text{var}(z_j)} \right| (|\gamma_{x_b} - \gamma_{x_c}| - |\gamma_{x_b}|). \end{aligned} \tag{18}$$

Note that this expression is greater than or equal to 0 when

$$\begin{aligned}
 & \left| \frac{\text{cov}(x_{\bullet j}, z_j)}{\text{var}(z_j)} \right| (|\gamma_{x_b} - \gamma_{x_c}| - |\gamma_{x_b}|) \geq 0 \\
 & \Leftrightarrow |\gamma_{x_b} - \gamma_{x_c}| - |\gamma_{x_b}| \geq 0 \\
 & \Leftrightarrow |\gamma_{x_b} - \gamma_{x_c}| \geq |\gamma_{x_b}|.
 \end{aligned} \tag{19}$$

Thus, whenever the absolute difference in the between effect and conflated effect is greater than the absolute value of the between effect, the bias will be worse for the conflated- x model than for the no- x model. In other words, in some cases, researchers would be better off *not controlling for the level-1 variable at all* than controlling for it incorrectly by letting it have a conflated slope. Examples of such situations are shown in the simulation (Section 3).

2.5. Summary

Three conclusions emerge for situations in which substantive interest is in the slope of a level-2 variable, z_j . First, controlling for a level-1 variable by including its between-cluster slope (i.e., including $x_{\bullet j}$ as a predictor) appropriately conditions the slope of z_j on the level-1 variable; however, including the within-cluster slope (i.e., $x_{ij} - x_{\bullet j}$) as a predictor does not and is unnecessary. Second, failing to control for $x_{\bullet j}$ by excluding it from the model yields bias in the slope of z_j , provided $x_{\bullet j}$ and z_j are correlated and the slope of $x_{\bullet j}$ is non-zero. Third, controlling for x_{ij} without disaggregating level-specific effects (e.g., by grand-mean-centering x_{ij}) yields bias in the slope of z_j , provided $x_{\bullet j}$ and z_j are correlated and the within-cluster and between-cluster slopes of x_{ij} are not equal. Importantly, such bias can be greater than the bias that results from failing to include the level-1 variable in the model at all. We thus recommend that researchers who are interested solely in slopes of level-2 predictors condition on level-1 variables by including the cluster mean of x_{ij} as a control. Furthermore, we stress that including a conflated slope of x_{ij} as a control is not appropriate.

3. Simulation

We now present simulation results to explicitly demonstrate the aforementioned points. We show that the bias from the conflated- x model is particularly large whenever (a) the absolute value of the correlation between the level-2 predictor z_j and the between-cluster portion of x_{ij} is large and/or (b) the level-specific slopes of x_{ij} are highly dissimilar.

3.1. Generating conditions

Data were generated from the most general model presented here, that is, the fully-disaggregated- x model in equation (1). Note that x_{ij} was generated from a latent within-cluster component, $x_{w,ij}$, with only within-cluster variance, and a latent between-cluster component, $x_{b,j}$, with only between-cluster variance, such that $x_{ij} = x_{w,ij} + x_{b,j}$. The outcome y_{ij} was then generated as a function of the observed x_{ij} cluster means, $x_{\bullet j}$, and observation-specific deviations, $x_{ij} - x_{\bullet j}$, consistent with standard MLM assumptions.

In designing the simulation, we focused on conditions that would affect the bias in estimating the slope of z_j with the conflated- x model, based on the derivation in the previous section. The two such conditions apparent from equation (17) are the magnitude of the difference in within and between effects of x_{ij} and the correlation between z_j and $x_{\bullet j}$. Secondly, we also manipulated cluster size and number of clusters, as these would

impact the precision weighting that occurs in estimating the conflated slope of x_{ij} (Raudenbush & Bryk, 2002). Finally, to highlight the point that the conflated- x model can be problematic both when there is a true, non-zero effect of z_j and even when there is no effect of z_j at all, we manipulated the slope of z_j to be either zero or non-zero.

Each of $x_{w,ij}$, $x_{b,j}$, and z_j was generated with a variance of 1, with $x_{w,ij}$ normally distributed and $x_{b,j}$ and z_j bivariate normally distributed with correlation $\rho_{x_b z_j}$ (note that although x_{ij} has across-cluster variance, $x_{w,ij}$ by definition varies only within cluster and thus necessarily is uncorrelated with the level-2 variables). We varied $\rho_{x_b z_j}$ across the parameter space $(-.9, -.6, -.3, 0, .3, .6, \text{ and } .9)$. The fixed effects (with varying conditions in parentheses) were

$$\begin{bmatrix} \gamma_{00} \\ \gamma_{x_w} \\ \gamma_{x_b} \\ \gamma_z \end{bmatrix} = \begin{bmatrix} 1 \\ 2 \\ (-2, 0, 2) \\ (0, 2) \end{bmatrix}. \quad (20)$$

The varying values of γ_{x_b} created conditions wherein γ_{x_w} and γ_{x_b} were either highly dissimilar (2, -2), dissimilar (2, 0), or identical (2, 2). The level-1 and level-2 residual variances were $\sigma^2 = 10$ and $\tau_{00} = 4$, respectively. The average cluster sizes were either 10 (discrete uniformly distributed from 5 to 15) or 25 (discrete uniformly distributed from 15 to 35), with total number of clusters either 50 or 100.

In total, this yielded $7 \times 3 \times 2 \times 2 \times 2 = 168$ conditions. For each of these, we generated 500 samples and fit the four models presented in Figure 1 using *lmer* in the *lme4* package in R (Bates, Maechler, Bolker, & Walker, 2004) with restricted maximum likelihood estimation. Because the slope of z_j was of particular interest, we focused on the extent to which each model yielded biased estimation of this slope. Secondly, we also considered the variance of the estimates of the slope of z_j across samples.

3.2. Results

For a parsimonious representation of the results, we focus on a subset of the conditions. We first note that results pertaining to bias were virtually identical across sample sizes; the effects of average cluster size and number of clusters were negligible. We thus present results from the largest sample size to highlight that the bias induced by the conflated- x model is not a small-sample issue. We also note that (as expected) the bias and variance results for the slope of z_j were identical across all conditions for the fully-disaggregated- x model and the x -mean model, thus we will simply present these as the x -mean model results.

We first present the results for the conditions in which the true slope of z_j is non-zero in Figure 2. Each panel corresponds to one of the three different magnitudes of difference in the within and between effects of x_{ij} : in (a), the level-specific effects are highly dissimilar, in (b) they are moderately dissimilar, and in (c) they are identical. Each of three plots shows the bias (y -axis) as a function of $\rho_{x_b z_j}$ (x -axis). The two horizontal dashed lines denote the point at which the relative bias is 10% (a commonly used criterion for bias to be deemed substantial).

As expected based on equation (17), the bias for the conflated- x model was greater at larger absolute values of $\rho_{x_b z_j}$ (and zero when $\rho_{x_b z_j} = 0$) and when the level-specific effects of x_{ij} were more dissimilar (and zero when they were identical). Noting again that the horizontal dashed lines denote relative bias of 10%, the bias shown is well beyond what

can be considered acceptable (and goes up to nearly 200%). As expected, the linear relation between bias and $\rho_{x_b z_j}$ was moderated by the difference between γ_{x_w} and γ_{x_b} , as shown in equation (17). Comparing the bias between the conflated- x model and the no- x model, we see that, with the exception of Figure 2c, the bias is worse for the conflated- x model than for the no- x model for each condition (except when $\rho_{x_b z_j} = 0$ and neither yield bias). For instance, in Figure 2b, x_{ij} had no actual between effect; thus excluding x_{ij} yielded no bias. The conflated- x model, however, distorted the relation of x_{ij} and y_{ij} . Therefore, the slope of z_j was conditioned on an apparent (but illusory) between effect of x_{ij} , yielding extreme bias across the correlation space of $\rho_{x_b z_j} \neq 0$. Lastly, as expected, the x -mean model yielded virtually no bias for any condition, despite technically being an underspecified model (i.e., excluding $x_{ij} - x_{\cdot j}$). Thus the x -mean model is appropriate for all conditions whether or not level-specific effects of x_{ij} differ; the conflated- x model is appropriate only in the highly restrictive condition in which these are exactly the same.

The bias results for the condition in which the true slope of z_j is zero are given in Figure 3a–c. These are essentially identical to the results when the true slope of z_j is non-zero (with the slight exception that it no longer makes sense to describe ‘relative bias’ when the parameter is zero). We thus do not discuss these further, but present results to highlight that the conflated- x model can mislead researchers into thinking there is either a positive effect or a negative effect of z_j when there is truly no effect at all.

Although not a focus of the simulation, we also note the across-sample variance of the estimates of the slope of z_j for the conflated- x model compared to the x -mean model. We will consider this only for the conditions in which the conflated- x model yielded no bias, that is, when level-specific effects of x_{ij} were identical (the bias of the conflated- x model was otherwise too extreme to make a comparison of variances worthwhile). As noted by other authors, when the assumption underlying the conflated- x model holds (i.e., $\gamma_{x_w} = \gamma_{x_b}$), this model yields the most efficient estimator of the slope of x_{ij} (Raudenbush & Bryk, 2002). Our results indicate that the conflated- x model also yielded the most efficient estimation of the slope of z_j for the conditions in which the level-specific effects of x_{ij} were exactly equal. Averaging across all such conditions, the average standard deviation of the estimated slope of z_j was 0.21 for the conflated- x model and 0.31 for the x -mean (and fully-disaggregated- x) model; however, the difference between the two is less pronounced (0.21 vs. 0.28) when focusing on conditions in which $\rho_{x_b z_j}$ was less extreme (not $\pm .9$) and

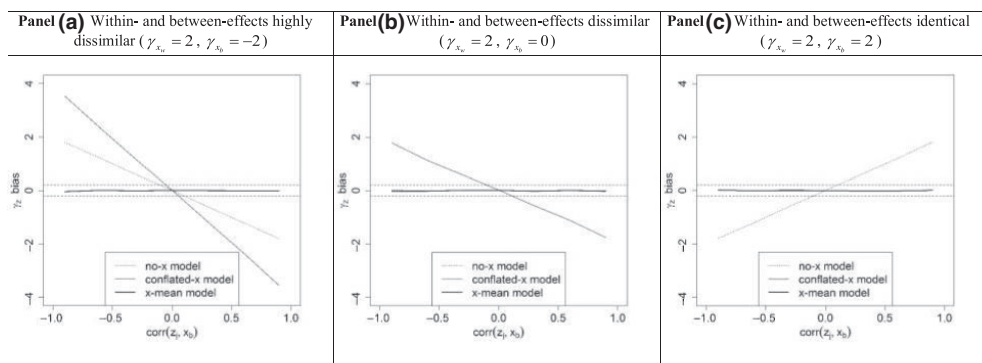


Figure 2. Bias in estimating the slope (equal to 2 in the population) of a level-2 variable. *Notes.* In Panel B the no- x model and x -mean model overlap entirely. In Panel C the conflated- x model and x -mean model overlap entirely. Outside of the two horizontal dashed lines, relative bias is >10%.

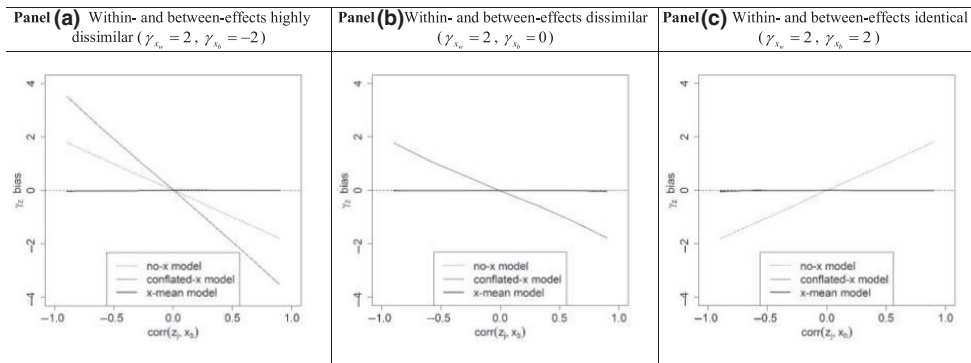


Figure 3. Bias in estimating the slope (equal to 0 in the population) of a level-2 variable. *Notes.* In Panel B the no-*x* model and *x*-mean model overlap entirely. In Panel C the conflated-*x* model and *x*-mean model overlap entirely. The horizontal dashed line denotes zero bias.

likely more realistic. We caution readers, however, that this improvement is fairly small when compared to the bias resulting from the conflated-*x* model with unequal level-specific effects, in which the relative bias was almost 200% for some conditions. Thus, we maintain our recommendation to use the *x*-mean model, noting that it may be unrealistic to assume that level-specific effects are exactly equal in practice (Preacher *et al.*, 2010).

4. Empirical example

To illustrate the potential distortion of results that can occur with the conflated-*x* model, we present an empirical example in which substantive interest is in the effect of a level-2 variable after controlling for a level-1 variable. We present an abbreviated version here. More extensive details can be seen in the Appendix S1 to this article and in Cole *et al.* (2019).

Data were obtained via an adaptation of Cole *et al.*'s (2014) Behind Your Back procedure. In this procedure, 272 adolescents listened to recordings of 21 conversations of a boy and a girl talking about an absent third person, with the gender of the third person matching that of the participant. The content of the conversations ranged from mild to mean. Participants were instructed to imagine they were overhearing conversations about themselves and to answer conversation-specific questions about their *negative appraisal*, their *cognitive reaction*, and their *emotional reaction* of sadness to each event. The 21 conversation-specific observations were nested within adolescent. Of substantive interest is the effect of an adolescent's propensity for *negative appraisal* (*NA*) of events (level-2 predictor) on negative *cognitive reaction* (*COG*) to events, above and beyond that attributable to one's event-specific *emotional reaction* of sadness (*SAD*; level-1 control variable).

We fit each of the four models in Figure 1 to these data, with the associated slope estimates provided in Figure 4. In both the fully-disaggregated-*x* and *x*-mean models, the level-specific effects of *SAD* are positive and significant; however, no effect of *NA* was detectable. The no-*x* model failed to control for *SAD* altogether, and the effect of *NA* was significant. In the conflated-*x* model (the most common approach in practice), the within- and between-cluster effects of *SAD* are conflated into a single slope and the effect of *NA* is significant. The effect of *NA* was appropriately conditioned on person-mean *SAD* in the

former two models (with identical estimates, as expected), and was distorted in the latter two.

This example shows that using conflated slopes of level-1 variables as a control for level-2 variables can severely distort results and profoundly alter the substantive implications. Controlling inappropriately with the conflated- x model would suggest that one's propensity for NA has a direct impact on COG that is comparable to the direct impact of SAD . Controlling appropriately with either the fully-disaggregated- x model or the x -mean model suggests that the association of NA and COG can be better understood through the relation with SAD .

5. Discussion

We have argued that, despite methodological recommendations suggesting otherwise, it is inappropriate to use level-1 predictors as control variables for level-2 predictors if level-specific effects of the level-1 predictors are conflated. We showed mathematically why doing so will yield biased estimation of level-2 predictor slopes and provided corroborative simulation results. We also demonstrated with real data the distortion of results for level-2 predictor slopes that occurs with conflated level-1 control variables. In sum, we

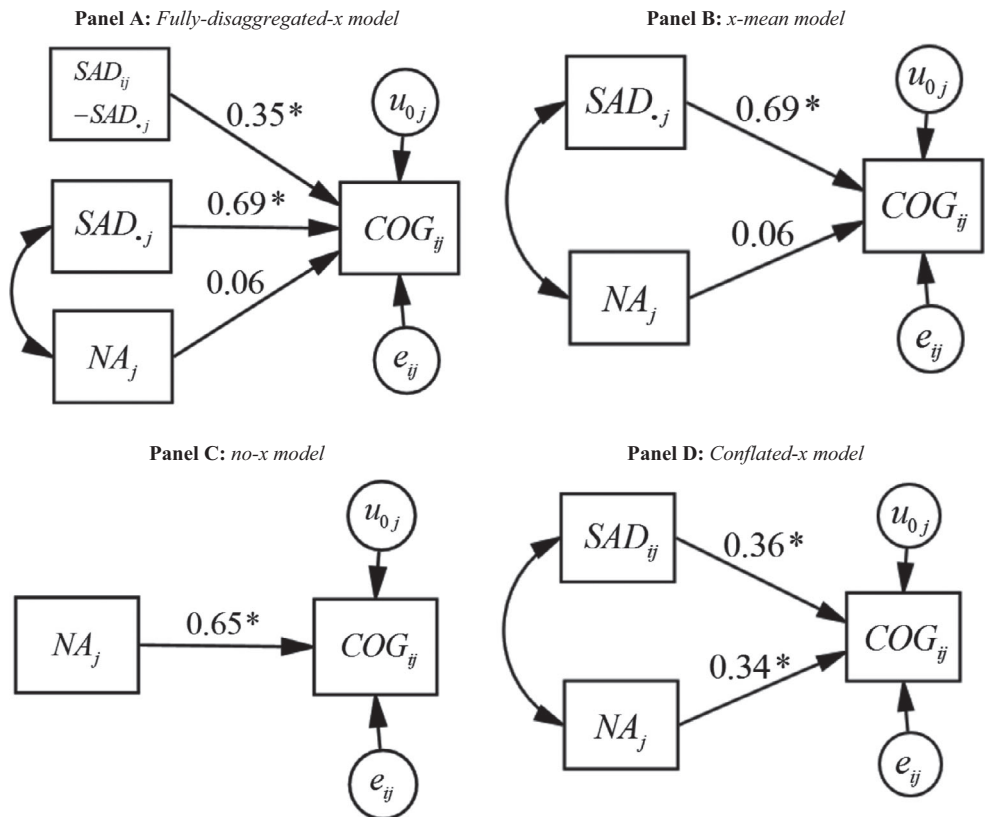


Figure 4. Empirical example results: Predicting cognitive response using each of the four modelling approaches. * $p < .005$.

recommend that, if researchers are solely interested in the effects of level-2 predictors, they can use the cluster means of level-1 predictors as control variables.⁴

A caveat is that, when level-specific effects of level-1 variables are identical in the population, it is technically no longer necessary to disaggregate the two, and when disaggregating, a superfluous parameter is freed up which yields more variance in estimation (as discussed in the simulation in Section 3). We feel, however, that the assumption of equal level-specific effects is highly restrictive. Indeed, others have argued that this assumption rarely holds in practice (Preacher *et al.*, 2010). Thus, we maintain our recommendation not to conflate effects of level-1 control variables. At the very least, we strongly encourage researchers not to blindly assume that the two effects are equal.

Regarding the generalizability of our simulation results, we first note that, in practice, researchers may have multiple level-1 control variables. In these cases, the expected bias in estimating level-2 slopes induced by conflation would be more complex than that shown in equation (17), as multiple conflated slopes would distort the model, and the amount of bias could potentially be exacerbated. One could avoid this by including the cluster mean of each level-1 control variable as a separate predictor. Second, despite our aforementioned focus on fixed slope models, none of the analytic results discussed in this paper would change if we had considered random slope models; that is, the addition of a random component of the slope of the level-1 predictors would not affect the last line of equations (6), (10) and (17). We thus expected that the inclusion of random slopes would not meaningfully affect the simulation results. To confirm, we reran the entire simulation with random slopes of level-1 predictors (with the slope variance set to be a quarter of the random intercept variance) and found virtually identical results (i.e., the plots in Figures 2 and 3 were unchanged). Finally, another consideration is our choice of parameter values, in particular the degree of discrepancy between the within-cluster and between-cluster effects of the level-1 variable. Making general statements about the expected discrepancy in practice is difficult: in certain contexts, highly disparate level-specific effects might be expected (e.g., Baldwin, Wampold, & Imel, 2007; Marini *et al.*, 2013; Wang & Maxwell, 2015), whereas in other contexts differences between the two might be negligible or non-existent. Future work can systematically investigate the research contexts in which disparate level-specific effects are most likely, in order to determine the contexts in which conflation is likely to have biased the estimation of level-2 effects.

Future work can also extend the points made here to latent variable models. Particularly with multilevel structural equation modelling, researchers can decompose level-1 variables into latent within- and between-cluster components, rather than using observed cluster means (Asparouhov & Muthén, 2019; Lüdtke *et al.*, 2008; Preacher *et al.*, 2010). The basic idea would still apply: when modelling x_{ij} as a latent variable on which to condition the effect of a level-2 predictor, the latent x_{ij} level-specific effects should still be disaggregated; that is, an explicit latent between-cluster component of x_{ij} ($x_{b,j}$) should be included in the model.

Our hope is that this work will discourage researchers from specifying models with conflated level-1 variables as controls for level-2 variables. Researchers historically have

⁴This implies that one could use aggregated data (i.e., analyse only cluster means of variables) in a single-level analysis to avoid conflation when interest lies primarily in level-2 effects. However, MLM has advantages in that one can also include level-1 predictors of secondary interest, and can quantify the amount of within-cluster and between-cluster outcome variation, as well as the proportion of within-cluster and between-cluster variance accounted for by predictors (Rights & Sterba, 2019). Additionally, within a multilevel framework, one can model cluster means as latent variables, which can avoid bias when cluster means are measured with error (Lüdtke *et al.*, 2008; Preacher *et al.*, 2010).

not worried about decomposing level-1 control variables due to a lack of interest in their potential disparate level-specific effects. However, failing to appropriately disaggregate these effects can yield serious distortion of results pertaining to other predictors in a model, regardless of one's interest in the effect(s) of the level-1 variable itself. We encourage researchers to be mindful of the fact that controlling for a variable merely by including it as a predictor is not sufficient; it is necessary to model its effects appropriately.

Acknowledgements

The authors would like to thank Sonya Sterba for helpful comments.

References

- Algina, J., & Swaminathan, H. (2011). Centering in two-level nested designs. In J. Hox & J. K. Roberts (Eds.), *Handbook of advanced multilevel analysis* (pp. 285–312). New York, NY: Routledge.
- Asparouhov, T., & Muthén, B. (2019). Latent variable centering of predictors and mediators in multilevel and time-series models. *Structural Equation Modeling: A Multidisciplinary Journal*, 26, 119–142. <https://doi.org/10.1080/10705511.2018.1511375>
- Baldwin, S. A., Wampold, B. E., & Imel, Z. E. (2007). Untangling the alliance-outcome correlation: Exploring the relative importance of therapist and patient variability in the alliance. *Journal of Consulting and Clinical Psychology*, 75, 842–852. <https://doi.org/10.1037/0022-006X.75.6.842>
- Bates, D., Maechler, M., Bolker, B., & Walker, S. (2004). *lme4: Linear mixed-effects models using Eigen and S4*. R package version 1.0–6. Retrieved from <https://cran.rproject.org/web/packages/lme4/index.html>
- Bell, A., Jones, K., & Fairbrother, M. (2018). Understanding and misunderstanding group mean centering: A commentary on Kelley *et al.*'s dangerous practice. *Quality and Quantity*, 52, 2031–2036. <https://doi.org/10.1037/0022-006X.75.6.842>
- Burstein, L. (1980). The analysis of multilevel data in educational research and evaluation. *Review of Research in Education*, 8, 158–233. <https://doi.org/10.2307/1167125>
- Cole, D. A., Martin, N. C., Sterba, S. K., Sinclair-McBride, K., Roeder, K. M., Zerkowicz, R., & Bilsky, S. A. (2014). Peer victimization (and harsh parenting) as developmental correlates of cognitive reactivity: A diathesis for depression. *Journal of Abnormal Psychology*, 123, 336–349. <https://doi.org/10.1037/a0036489>
- Cole, D. A., Zerkowicz, R. L., Nick, E. A., Lubarsky, S. R., & Rights, J. D. (2019). Simultaneously examining negative appraisals, emotion reactivity, and cognitive reactivity in relation to depressive symptoms in children. *Development and Psychopathology*, 31, 1527–1540. <https://doi.org/10.1017/s0954579418001207>
- Cronbach, L. J. (1976). *Research on classrooms and schools: Formulation of questions, design, and analysis*. Stanford, CA: Stanford University Evaluation Consortium.
- Curran, P. J., & Bauer, D. J. (2011). The disaggregation of within-person and between-person effects in longitudinal models of change. *Annual Review of Psychology*, 62, 583–619. <https://doi.org/10.1146/annurev.psych.093008.100356>
- Curran, P. J., Lee, T., Howard, A. L., Lane, S., & MacCallum, R. C. (2012). Disaggregating within-person and between-person effects in multilevel and structural equation growth models. In J. R. Harring & G. R. Hancock (Eds.), *Advances in longitudinal methods in the social and behavioral sciences* (pp. 217–253). Charlotte, NC: Information Age.
- Dalal, D. K., & Zickar, M. J. (2012). Some common myths about centering predictor variables in moderated multiple regression and polynomial regression. *Organizational Research Methods*, 15, 339–362. <https://doi.org/10.1177/1094428111430540>
- Dettmers, S., Trautwein, U., Lüdtke, O., Kunter, M., & Baumert, J. (2010). Homework works if homework quality is high: Using multilevel modeling to predict the development of

- achievement in mathematics. *Journal of Educational Psychology*, *102*, 467–482. <https://doi.org/10.1037/a0018453>
- Diefendorff, J. M., Erickson, R. J., Grandey, A. A., & Dahling, J. J. (2011). Emotional display rules as work unit norms: A multilevel analysis of emotional labor among nurses. *Journal of Occupational Health Psychology*, *16*, 170–182. <https://doi.org/10.1037/a0021725>
- Duncan, O. D., Cuzzort, R. P., & Duncan, B. (1961). *Statistical geography: Problems in analyzing areal data*. Glencoe, IL: Free Press.
- Enders, C. K. (2013). Centering predictors and contextual effects. In M. A. Scott, J. S. Simonoff & B. D. Mark (Eds.), *The Sage handbook of multilevel modeling* (pp. 89–107). Los Angeles, CA: Sage.
- Enders, C. K., & Tofighi, D. (2007). Centering predictor variables in cross-sectional multilevel models: A new look at an old issue. *Psychological Methods*, *12*, 121–138. <https://doi.org/10.1037/1082-989X.12.2.121>
- Hoffman, L., & Stawski, R. S. (2009). Persons as contexts: Evaluating between-person and within-person effects in longitudinal analysis. *Research in Human Development*, *6*, 97–120. <https://doi.org/10.1080/15427600902911189>
- Hofmann, D. A., & Gavin, M. B. (1998). Centering decisions in hierarchical linear models: Implications for research in organizations. *Journal of Management*, *24*, 623–641. <https://doi.org/10.1177/014920639802400504>
- Kreft, I. G. G., de Leeuw, J., & Aiken, L. S. (1995). The effects of different forms of centering in hierarchical linear models. *Multivariate Behavioral Research*, *30*, 1–21. https://doi.org/10.1207/s15327906mbr3001_1
- Lenkeit, J. (2013). Effectiveness measures for cross-sectional studies: A comparison of value-added models and contextualised attainment models. *School Effectiveness and School Improvement*, *24*, 1–25. <https://doi.org/10.1080/09243453.2012.680892>
- Loeys, T., Josephy, H., & Dewitte, M. (2018). More precise estimation of lower-level interaction effects in multilevel models. *Multivariate Behavioral Research*, *53*, 335–347. <https://doi.org/10.1080/00273171.2018.1444975>
- Lüdtke, O., Marsh, H. W., Robitzsch, A., Trautwein, U., Asparouhov, T., & Muthén, B. (2008). The multilevel latent covariate model: A new, more reliable approach to group-level effects in contextual studies. *Psychological Methods*, *13*, 203–229. <https://doi.org/10.1037/a0012869>
- Lüdtke, O., Robitzsch, A., Trautwein, U., & Kunter, M. (2009). Assessing the impact of learning environments: How to use student ratings of classroom or school characteristics in multilevel modeling. *Contemporary Educational Psychology*, *34*, 120–131. <https://doi.org/10.1016/j.cedpsych.2008.12.001>
- Marini, M., Sriram, N., Schnabel, K., Maliszewski, N., Devos, T., Ekehammar, B., . . . Schnall, S. (2013). Overweight people have low levels of implicit weight bias, but overweight nations have high levels of implicit weight bias. *PLoS ONE*, *8*, e83543. <https://doi.org/10.1371/journal.pone.0083543>
- McCoach, D. B. (2010). Hierarchical linear modeling. In G. R. Hancock & R. O. Mueller (Eds.), *The reviewer's guide to quantitative methods in the social sciences* (pp. 123–140). New York, NY: Routledge.
- Merritt, E. G., Wanless, S. B., Rimm-Kaufman, S. E., Cameron, C., & Peugh, J. L. (2012). The contribution of teachers' emotional support to children's social behaviors and self-regulatory skills in first grade. *School Psychology Review*, *41*, 141–159.
- Peugh, J. L. (2010). A practical guide to multilevel modeling. *Journal of School Psychology*, *48*, 85–112. <https://doi.org/10.1016/j.jsp.2009.09.002>
- Preacher, K. J., Zyphur, M. J., & Zhang, Z. (2010). A general multilevel SEM framework for assessing multilevel mediation. *Psychological Methods*, *15*, 209–233. <https://doi.org/10.1037/a0020141>
- Raudenbush, S. W., & Bryk, A. S. (2002). *Hierarchical linear models: Applications and data analysis methods* (2nd ed.). Newbury Park, CA: Sage.
- Rencher, A. C. (2000). *Linear models in statistics*. New York, NY: Wiley.

- Rights, J. D., & Sterba, S. K. (2019). Quantifying explained variance in multilevel models: An integrative framework for defining R-squared measures. *Psychological Methods*, *24*, 309–338. <https://doi.org/10.1037/met0000184>
- Salmivalli, C., Voeten, M., & Poskiparta, E. (2011). Bystanders matter: Associations between reinforcing, defending, and the frequency of bullying behavior in classrooms. *Journal of Clinical Child and Adolescent Psychology*, *40*, 668–676. <https://doi.org/10.1080/15374416.2011.597090>
- Scott, A. J., & Holt, D. (1982). The effect of two-stage sampling on ordinary least squares methods. *Journal of the American Statistical Association*, *77*, 848–854. <https://doi.org/10.1080/01621459.1982.10477897>
- Snijders, T. A. B., & Bosker, R. J. (2012). *Multilevel analysis: An introduction to basic and advanced multilevel modeling* (2nd ed.). London, UK: Sage.
- Trautwein, U., & Lüdtke, O. (2009). Predicting homework motivation and homework effort in six school subjects: The role of person and family characteristics, classroom factors, and school track. *Learning and Instruction*, *19*, 243–258. <https://doi.org/10.1080/01621459.1982.10477897>
- Wang, L. P., & Maxwell, S. E. (2015). On disaggregating between-person and within-person effects with longitudinal data using multilevel models. *Psychological Methods*, *20*, 63–83. <https://doi.org/10.1037/met0000030>
- Wilkowski, B. M., Robinson, M. D., & Troop-Gordon, W. (2010). How does cognitive control reduce anger and aggression? The role of conflict monitoring and forgiveness processes. *Journal of Personality and Social Psychology*, *98*, 830–840. <https://doi.org/10.1037/a0018962>

Received 3 August 2018; revised version received 21 October 2019

Supporting Information

The following supporting information may be found in the online edition of the article:

Appendix S1. Empirical example predicting cognitive response using each of the four modeling approaches.